

Airbus 330 - 200

STC cargo compartment Class E approved by EASA

The best solution for your air operations...

SPECIFICATIONS

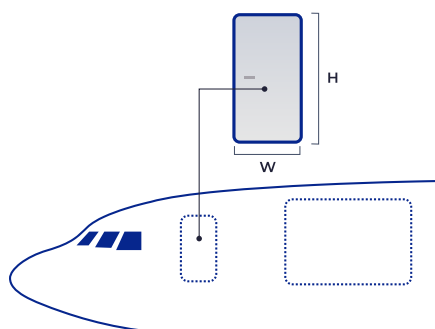


1. Capacity information

MEDIS CONFIGURATION		
	Kilos	CBM
Main Deck	23,430	178
Lower Deck	34,110	94
Bulk	2,718	15
TOTAL	60,258	287

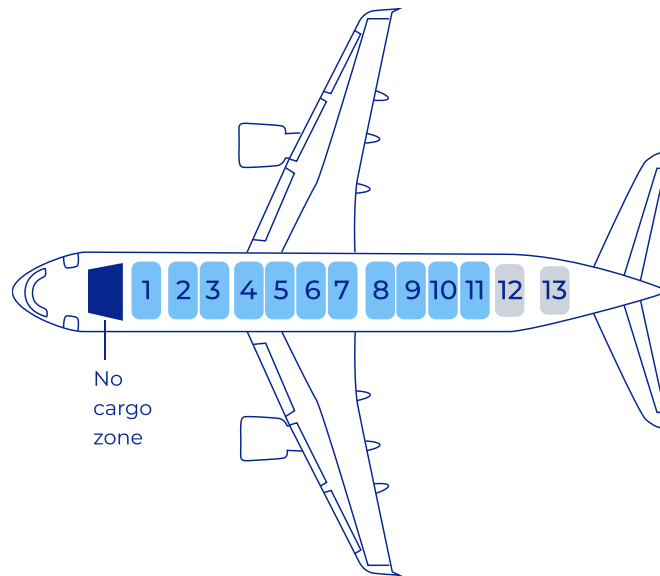
- Maximum weight per position depends on cargo weight, dimensions and aircraft balance conditions.
- The measurements shown represent the actual size of the compartments.
- The transported cargo may not be able to reach the maximum volume of the compartments due to the size of the boxes.

2. Main Cabin door dimensions



- Limited to the cabin door dimensions: Height 190cm (74.80in) Width 100cm (39.37in)
- Package dimensions for maximum optimization on cabin : 60cm x 40cm x 40cm (LxWxH)
- Maximum weight: 35 kgs per piece

3. Main Cabin and Belly full capacity



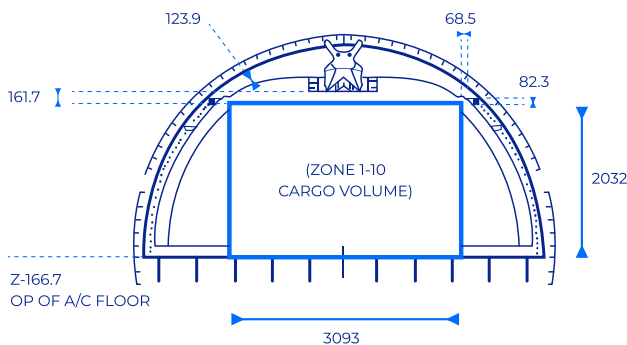
ULD PAG

Length 3.09 m (121.66 inches) / Width 2.33 m (91.73 inches)

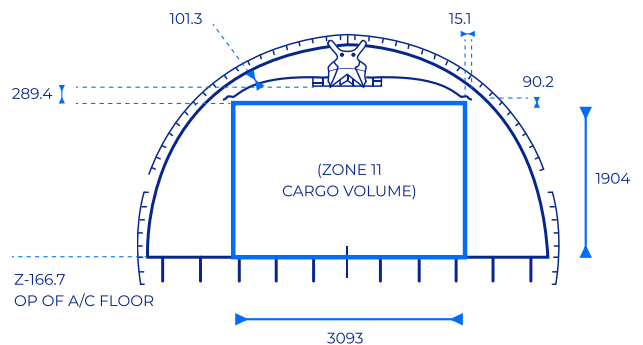
Area number	Height		Max payload		Max volume	
	M	In	KG	LB	M3	FT3
1,2,3,4,5,6,7,8,9,10	2.03	80	1,950	4,299.0	14.5	513.0
11	1.91	75	1,950	4,299.0	13.6	480.5
12	1.78	70	1,130	2,491.2	12.7	448.5
13	1.02	40	850	1,873.9	6.68	236.0
			23,430	51,654.2	178.2	6,295.3

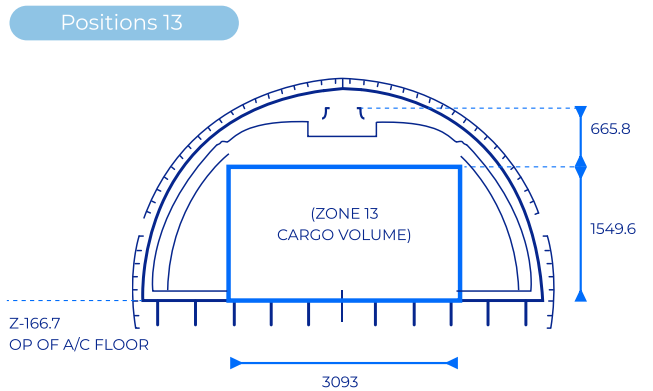
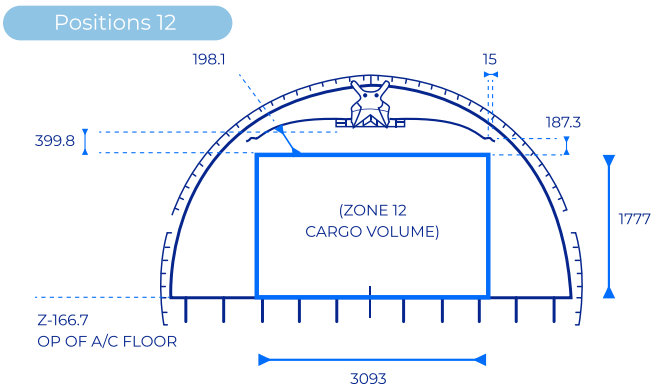
4. ULD Contour - MD

Positions 1 to 10

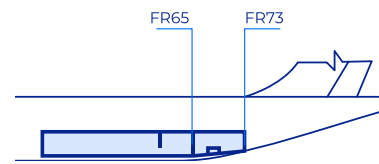
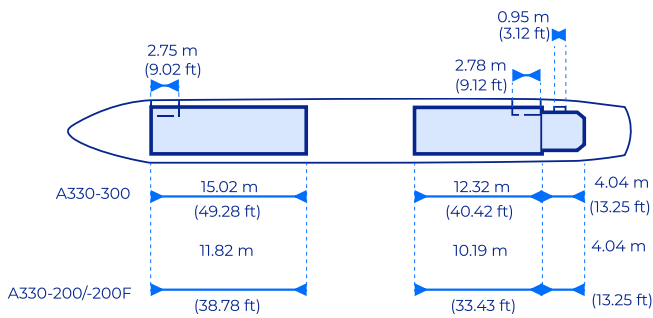


Positions 11





5. A330 Belly Full Capacity MEDIS Configuration



FWD

Total payload 18,869 kgs
Nota: Gross weight include nets and ULDs

ULD size	ULD code	Capacity	Gross Weight
60.4 x 61.5	K	14	1,587 kgs
60.4 x 125	L	7	3,174 kgs
88 x 125	A	4	4,626 kgs
96 x 125	M	4	5,103 kgs

Floor loading limits

Total payload 18,869 kgs
Nota: Gross weight include nets and ULDs

ULD size	Distributed load kg/m ²
Ball mats or Roller tracks	659

AFT

Total payload 14,832 kgs
Nota: Gross weight include nets and ULDs

ULD size	ULD code	Capacity	Gross Weight
60.4 x 61.5	K	14	1,587 kgs
60.4 x 125	L	7	3,174 kgs
88 x 125	A	4	4,626 kgs
96 x 125	M	4	5,103 kgs

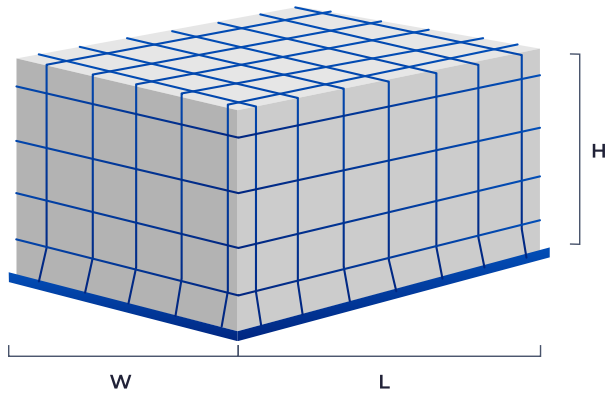
Floor loading limits

Total payload 14,832 kgs
Nota: Gross weight include nets and ULDs

ULD size	Distributed load kg/m ²
Ball mats or Roller tracks	659

5. A330 Belly Full Capacity MEDIS Configuration

PMC



Aircraft : A330

Internal dimensions of the top:

L 140 cm, W 243, H 110 cm

Internal dimensions of the base:

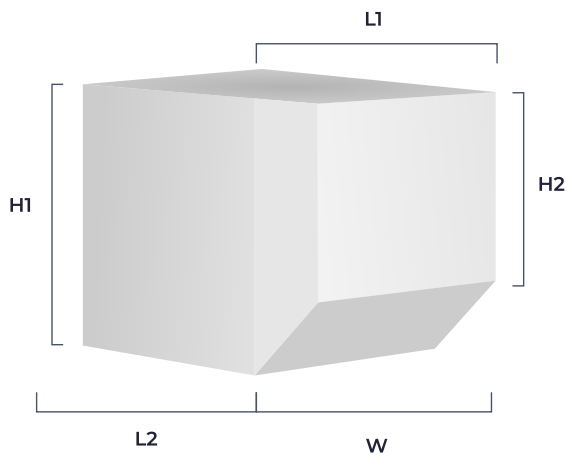
L 317 cm, W 243, H 160 cm

Storage Volume: 11m³

Maximum weight: 4,968 kg

Tare weight: 135kg

AKE



Aircraft : A330

Internal dimensions of the top:

L 193 cm, W 156, H 115 cm

Internal dimensions of the base:

L 144 cm, W 142 cm

Internal dimensions of the door:

L 144 cm, H 160 cm

Storage Volume: 4,4m³

Maximum weight: 1,497 kg

Tare weight: 90kg